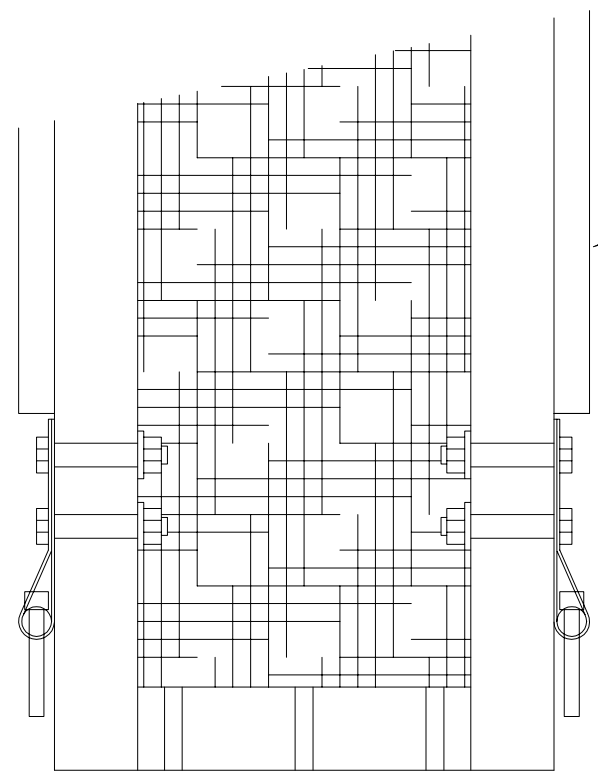
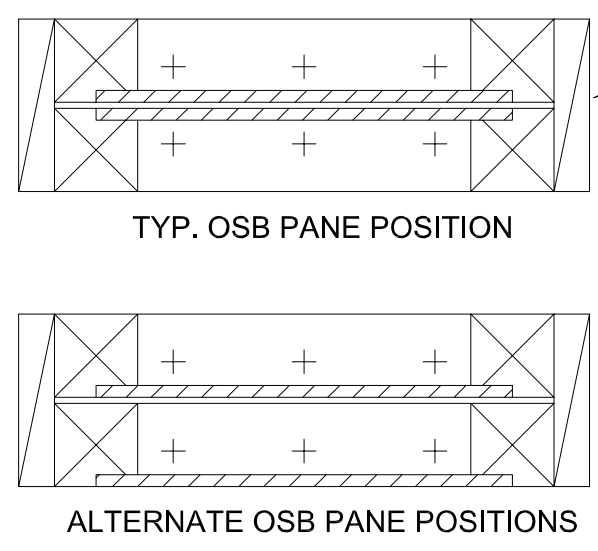


TOP CONNECTION PER 
 SMTC/LTP4 MAY BE PLACED ON ONE SIDE OF PANEL
 BOTH SIDES OF DRAG FRAMING MEMBER
 QUANTITY PER STRUCTURAL DRAWING



2X8 TYPICAL WITH (4) ROWS
 10d (0.148) X 3" AT 6" o.c.
 STAGGERED

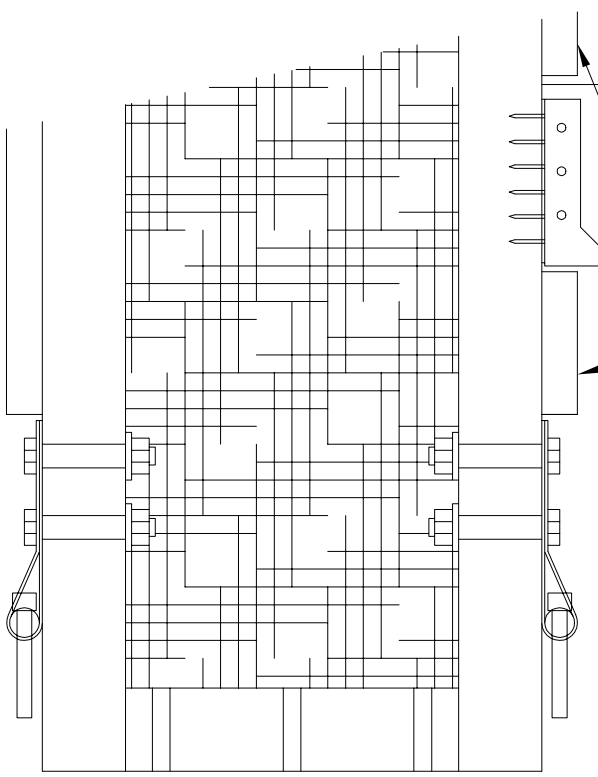
BASE CONNECTION PER 
 SMTC/LTP4 MAY BE PLACED ON ONE SIDE OF PANEL
 BOTH SIDES OF DRAG FRAMING MEMBER
 QUANTITY PER STRUCTURAL DRAWING



2X8 TYPICAL WITH (4) ROWS
 10d (0.148) X 3" AT 6" o.c.
 STAGGERED

TYP. BACK TO BACK PANEL INSTALLATION 12

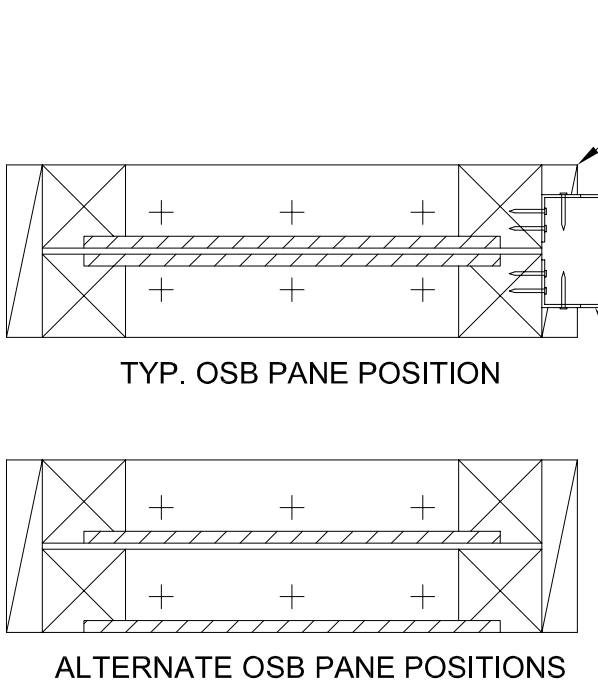
TOP CONNECTION PER 
 SMTC/LTP4 MAY BE PLACED ON ONE SIDE OF PANEL
 BOTH SIDES OF DRAG FRAMING MEMBER
 QUANTITY PER STRUCTURAL DRAWING



BEAM PER PLAN
 (NARROW BEAMS MAY
 REQUIRE FURRING)

2X8 TYPICAL WITH (4) ROWS
 10d (0.148) X 3" AT 6" o.c.
 STAGGERED. INTERRUPT @
 HANGER AS NECESSARY

BASE CONNECTION PER 
 SMTC/LTP4 MAY BE PLACED ON ONE SIDE OF PANEL
 BOTH SIDES OF DRAG FRAMING MEMBER
 QUANTITY PER STRUCTURAL DRAWING



2X8 TYPICAL WITH (4) ROWS
 10d (0.148) X 3" AT 6" o.c.
 STAGGERED. INTERRUPT @
 HANGER AS NECESSARY

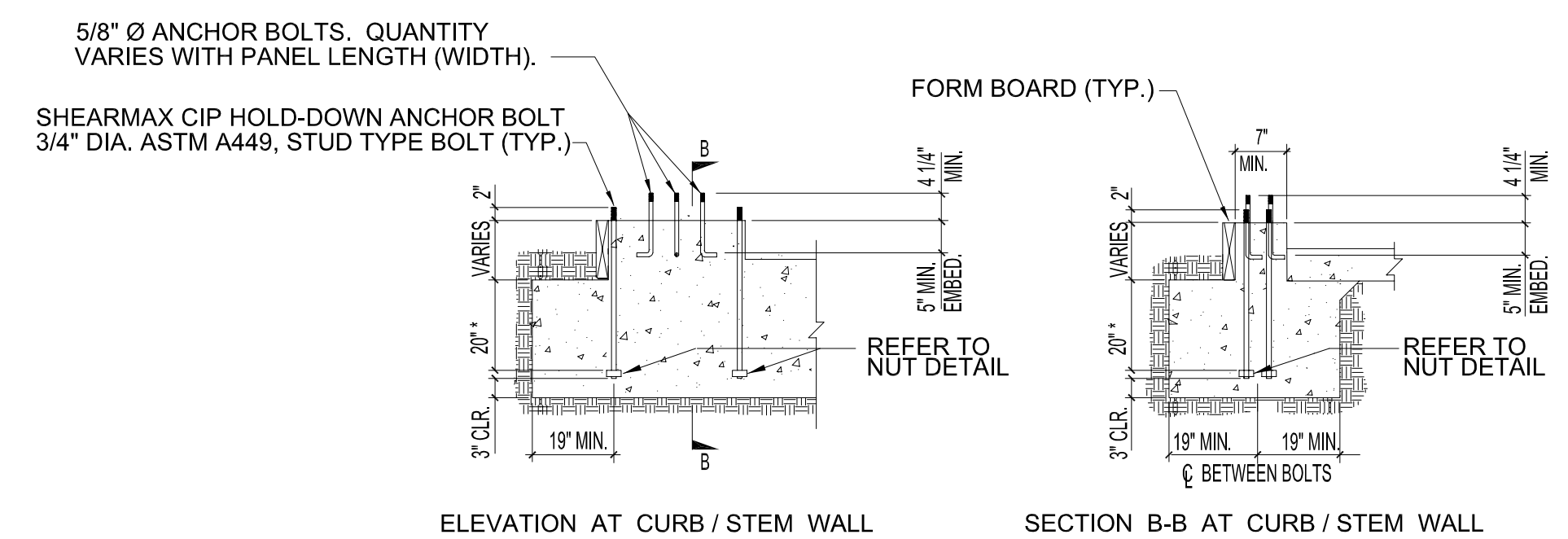
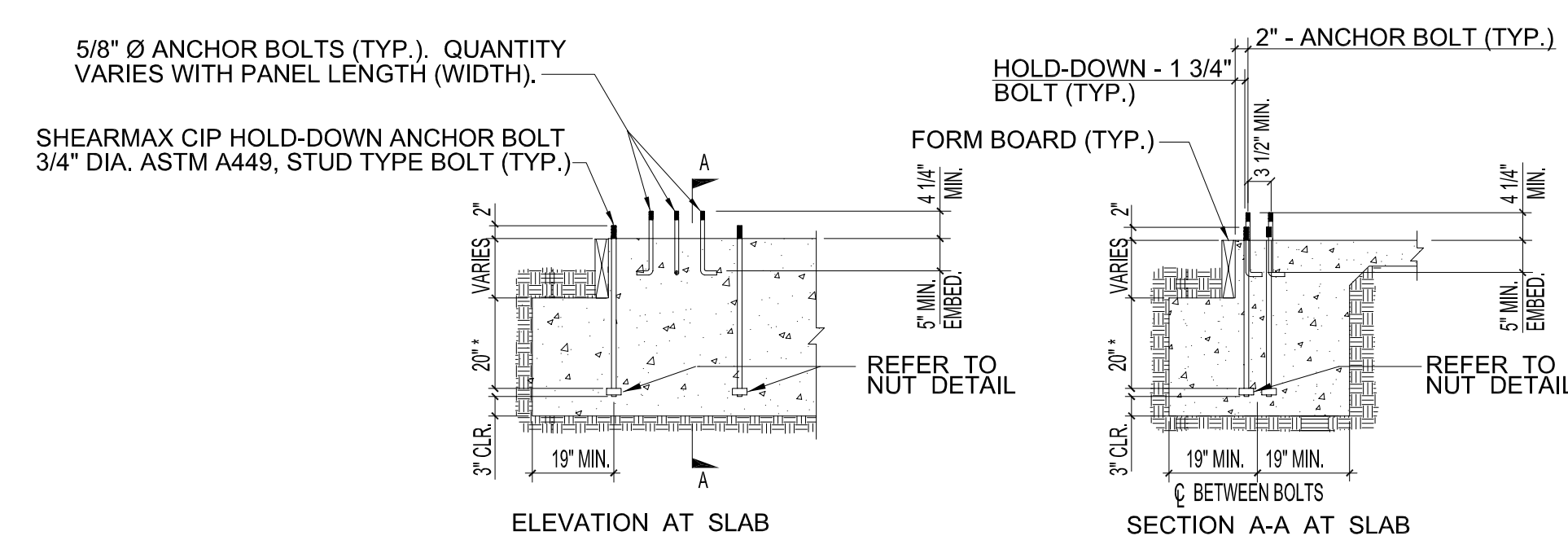
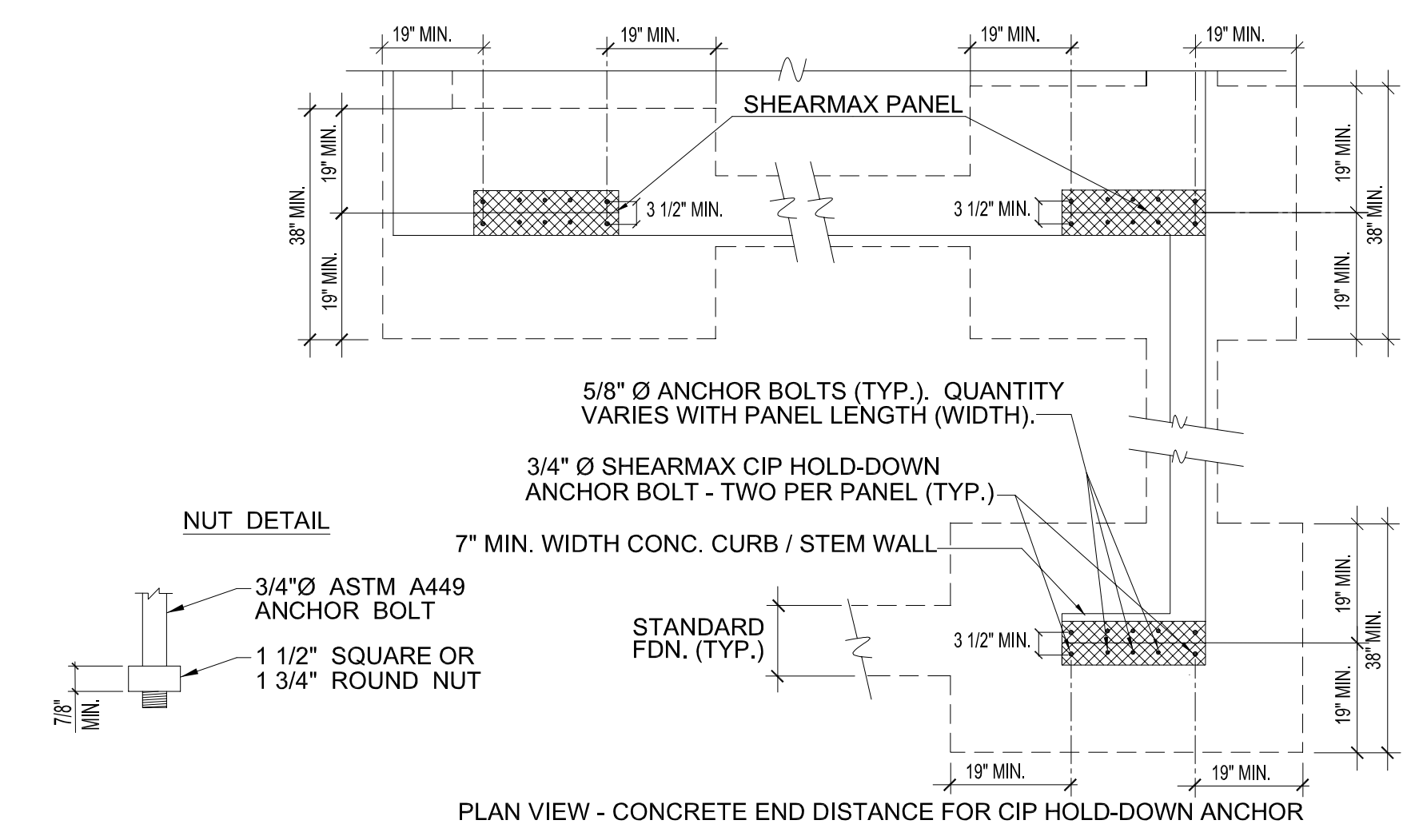
BEAM PER PLAN
 CONCEALED FLANGE STYLE HANGER
 PER PLAN. ALIGN HANGER TO
 MAINTAIN PROPER NAIL EDGE
 DISTANCE PER HANGER SPECS

SHEARMAX CIP HOLD-DOWN ANCHOR BOLT 3/4" DIA. ASTM A449, STUD TYPE BOLT (TYP.)

NOTE: FORM BOARD HEIGHT DETERMINES HOLD-DOWN BOLT LENGTH
 NOT PANEL SIZE (WIDTH OR HEIGHT)

STANDOFF	2"						
FORM BOARD HEIGHT (MAX)	3"	7"	13"	19"	25"	31"	37"
EMBEDMENT	20"						
NUT THREAD	1"						
TOTAL BOLT LENGTH	26"	30"	36"	42"	48"	54"	60"
BOLT CODE *	SM26F	SM30F	SM36F	SM42F	SM48F	SM54F	SM60F

* STOCK BOLT LENGTHS LISTED - CUSTOM LENGTHS ARE AVAILABLE



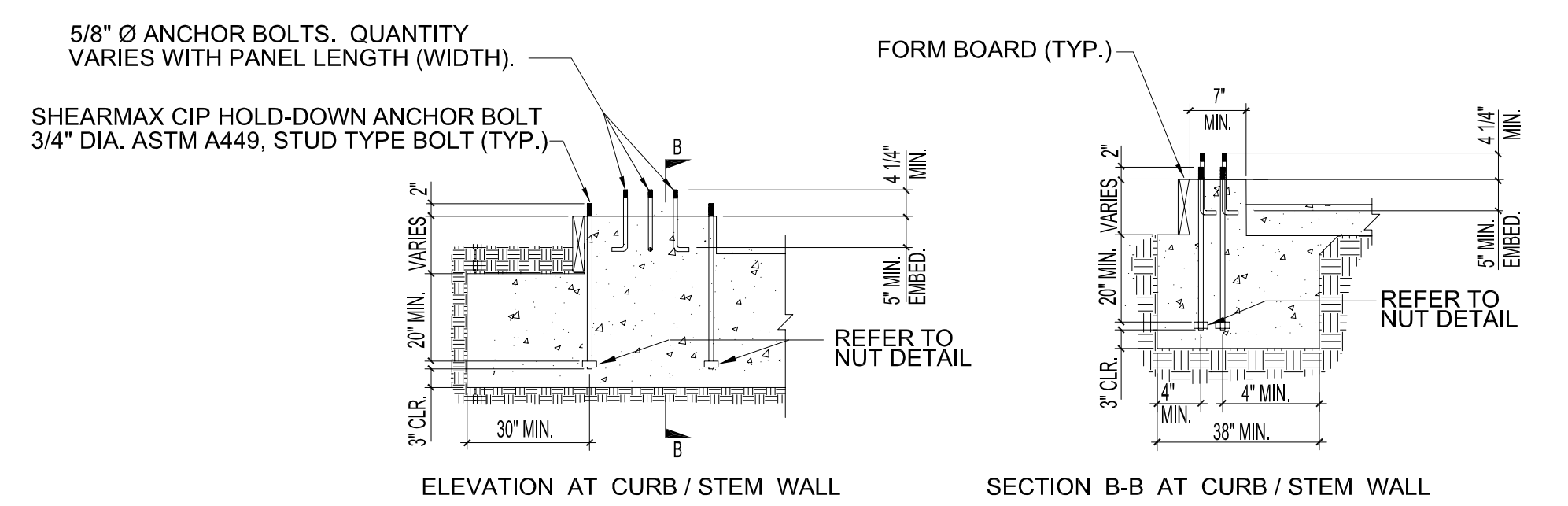
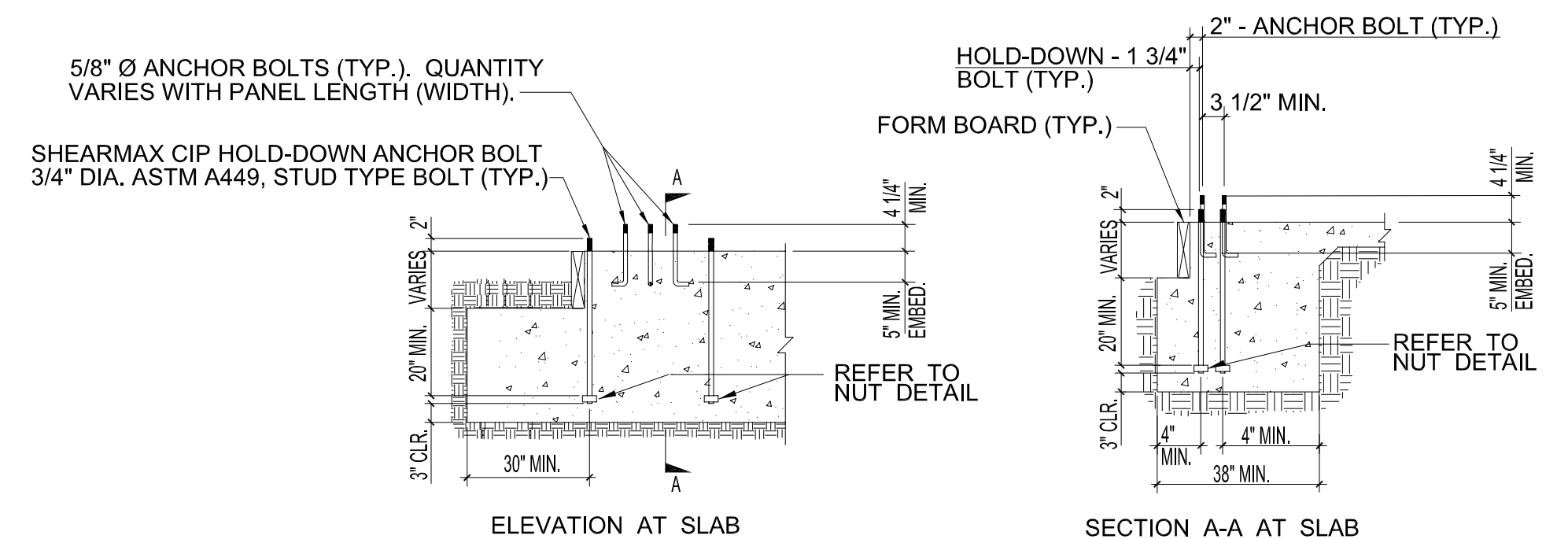
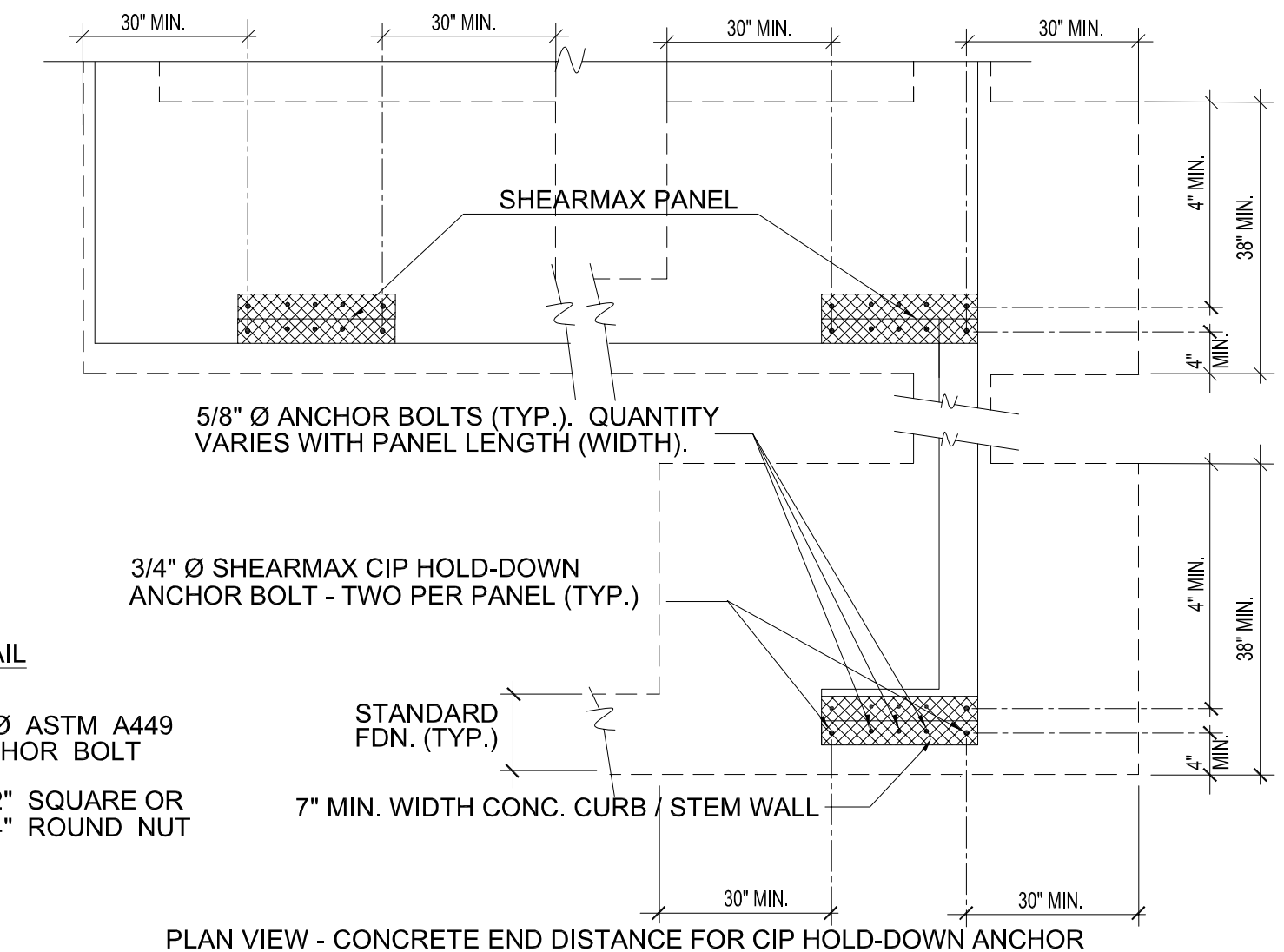
NOTES: 1. FOUNDATION AND STEM WALL DESIGN (i.e. OVERTURNING, REINFORCEMENT) BY OTHERS.
 2. ALTERNATE ANCHORAGE CONFIGURATIONS MAY BE DESIGNED BY OTHERS.
 * 13" MIN.

SHEARMAX PANEL ESR-1727 GENERAL NOTES

- SHEARMAXSM PANELS ARE MANUFACTURED AND TRADEMARKED BY SHEAR TRANSFER SYSTEMS, INC.
- SHEARMAX PANELS ARE LISTED BY ICC-ES IN EVALUATION REPORT ESR-1727.
- THIS PRODUCT IS PART OF AN OVERALL LATERAL FORCE RESISTING SYSTEM, WHICH SHALL ALWAYS BE REVIEWED AND SPECIFIED BY A DESIGN PROFESSIONAL, ARCHITECT, AND/OR ENGINEER OF RECORD AND APPROVED BY REQUIRED AGENCIES.
- THE CONTRACTOR IS RESPONSIBLE TO VERIFY ALL DIMENSIONS, CONDITIONS, AND POSITIONS OF SHEARMAX, ETC., PRIOR TO INSTALLATION OF THIS PRODUCT AND/OR ANY COMPONENT AFFECTING THE SHEARMAX SYSTEM. IF ANY DISCREPANCIES AND/OR ADVERSE CONDITIONS DO EXIST, IT IS THE RESPONSIBILITY OF THE CONTRACTOR TO NOTIFY THE DESIGN PROFESSIONAL, ARCHITECT, AND/OR ENGINEER OF RECORD, AND/OR LOCAL BUILDING OFFICIALS FOR CLARIFICATIONS PRIOR TO CONSTRUCTION.
- SHEAR TRANSFER SYSTEMS, INC. RESERVES THE RIGHT TO CHANGE DESIGNS, SPECIFICATIONS, AND/OR MODELS WITHOUT NOTICE OR LIABILITY.
- 1-INCH = 25.4 MM - DRAWINGS NOT TO SCALE

SHEAR TRANSFER SYSTEMS, INC.
 9845 SANTA FE AVENUE EAST, HESPERIA, CA 92345, P.O. BOX 402563, HESPERIA, CA 92340-2563
 (760) 949-4191 OR TOLL FREE (877) SHEARMAX (74327629) FAX (760) 948-5330 www.shearmax.com

SHEARMAX HOLD-DOWN ANCHORS ARE TO BE CAST-IN-PLACE WITH SPECIAL NUT AT THE EMBEDDED END IN ACCORDANCE WITH MINIMUM DIMENSIONS SET FORTH IN THE DETAILS BELOW. CONCRETE SHALL HAVE A MINIMUM 28-DAY COMPRESSIVE STRENGTH OF 2500 PSI. ALTERNATE DETAILS ARE ACCEPTABLE IF DESIGNED IN ACCORDANCE WITH THE GOVERNING CODE AND APPROVED BY THE BUILDING OFFICIAL. DETAILS SHOWN MAY OR MAY NOT BE INCLUSIVE FOUNDATION AND STEM WALL DESIGN (e.g. OVERTURNING AND REINFORCEMENT) BY OTHERS



NOTES: 1. FOUNDATION AND STEM WALL DESIGN (i.e. OVERTURNING, REINFORCEMENT) BY OTHERS.
 2. ALTERNATE ANCHORAGE CONFIGURATIONS MAY BE DESIGNED BY OTHERS.

BACK TO BACK PANEL INSTALLATION WITH BEAM 13

BACK TO BACK SHEARMAX OF SAME WIDTH AND LOCATION FOUNDATION DETAILS

14



ICC ESR-1727

NO.	REVISION	DATE
1	ORIGINAL	02/01/06
2	REVISED	03/20/06
2	REVISED	01/01/08

VERSION 03-01-11

APPLICABLE CODES:

- 2006 IBC
- 2009 IBC
- 2007 CBC
- 2010 CBC

PROJECT: _____
 DRAWING: _____

OWNER / APPLICANT: _____
 DRAWN BY: _____
 CHECKED BY: _____
 SHEET NUMBER: _____

SM4