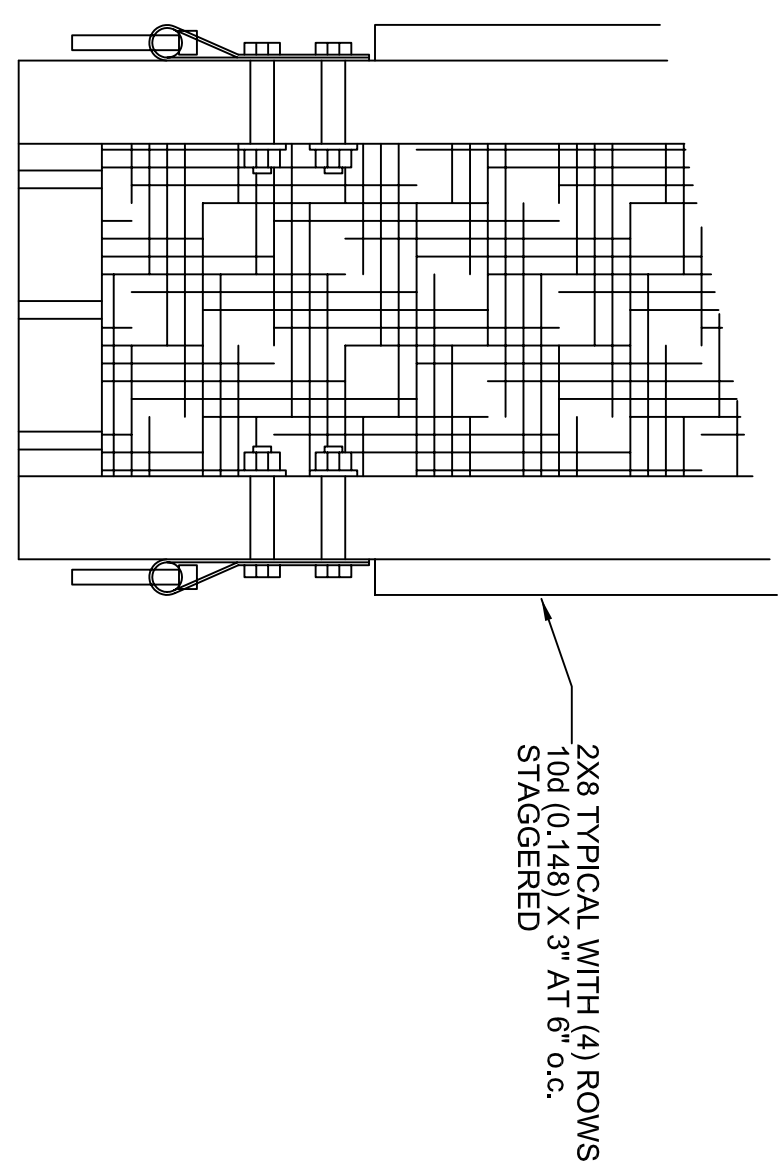
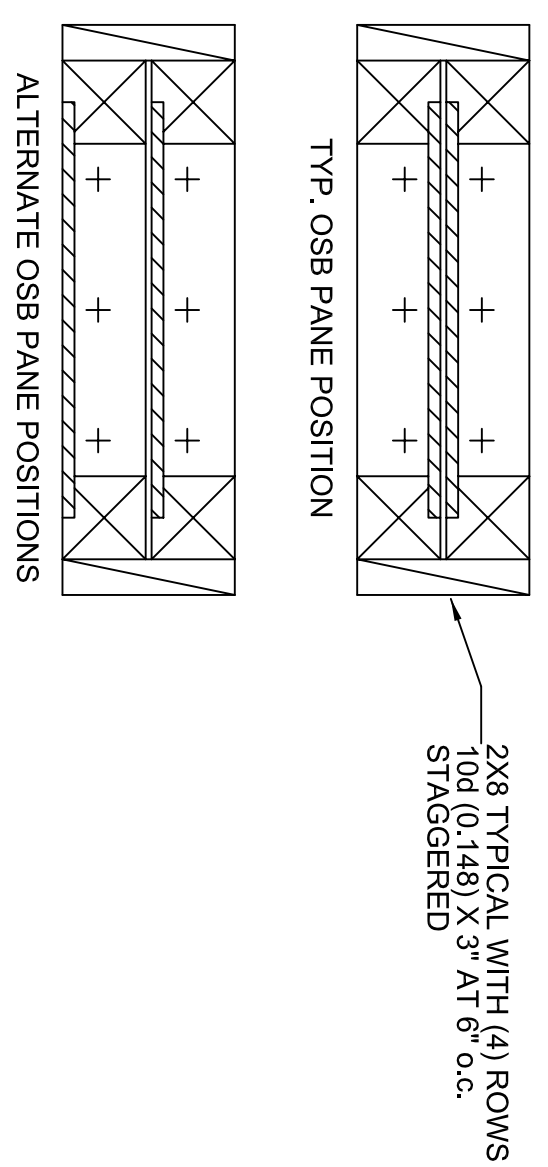


TOP CONNECTION PER (3) SMTCL/TP4 MAY BE PLACED ON ONE SIDE OF PANEL. BOTH SIDES OF DRAG FRAMING MEMBER QUANTITY PER STRUCTURAL DRAWING

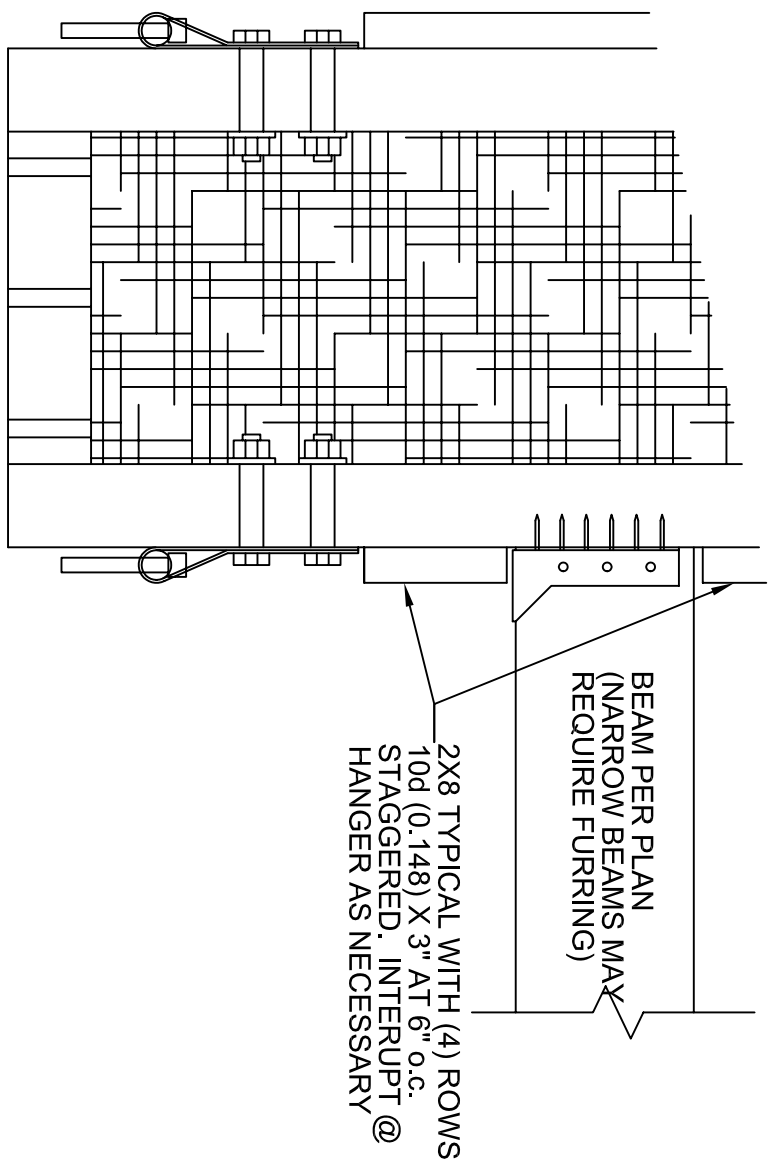


BASE CONNECTION PER (7) SMTD

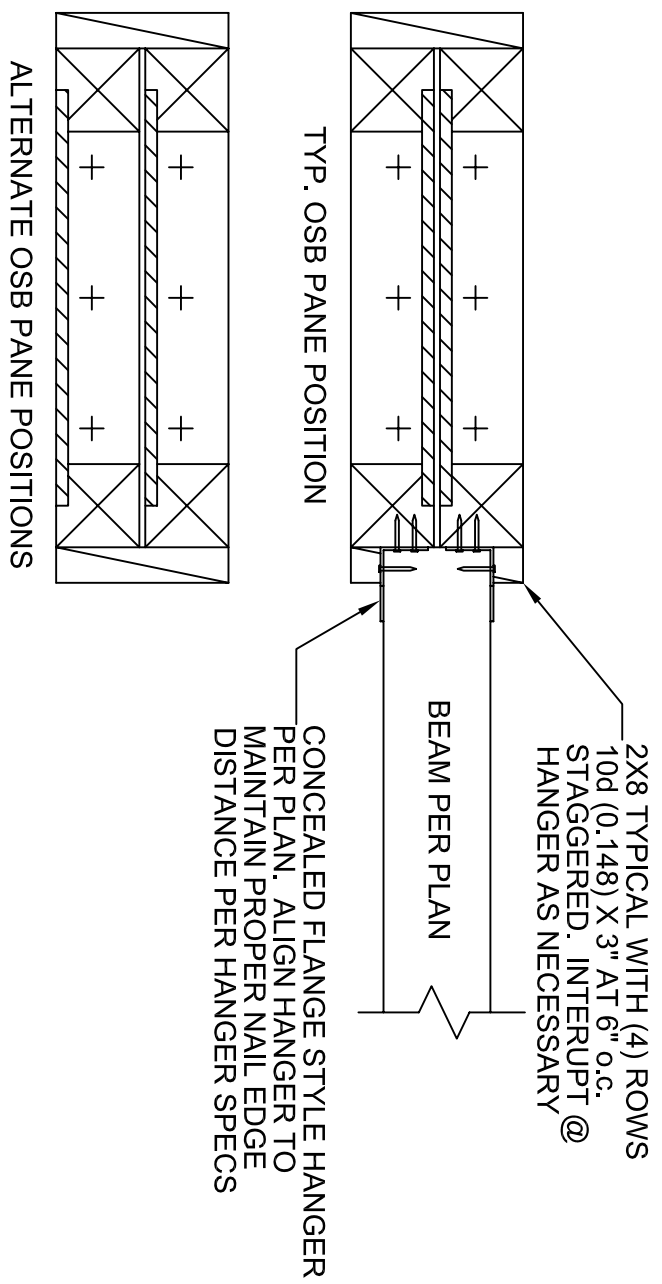


## TYP. BACK TO BACK PANEL INSTALLATION 12

TOP CONNECTION PER (3) SMTCL/TP4 MAY BE PLACED ON ONE SIDE OF PANEL. BOTH SIDES OF DRAG FRAMING MEMBER QUANTITY PER STRUCTURAL DRAWING



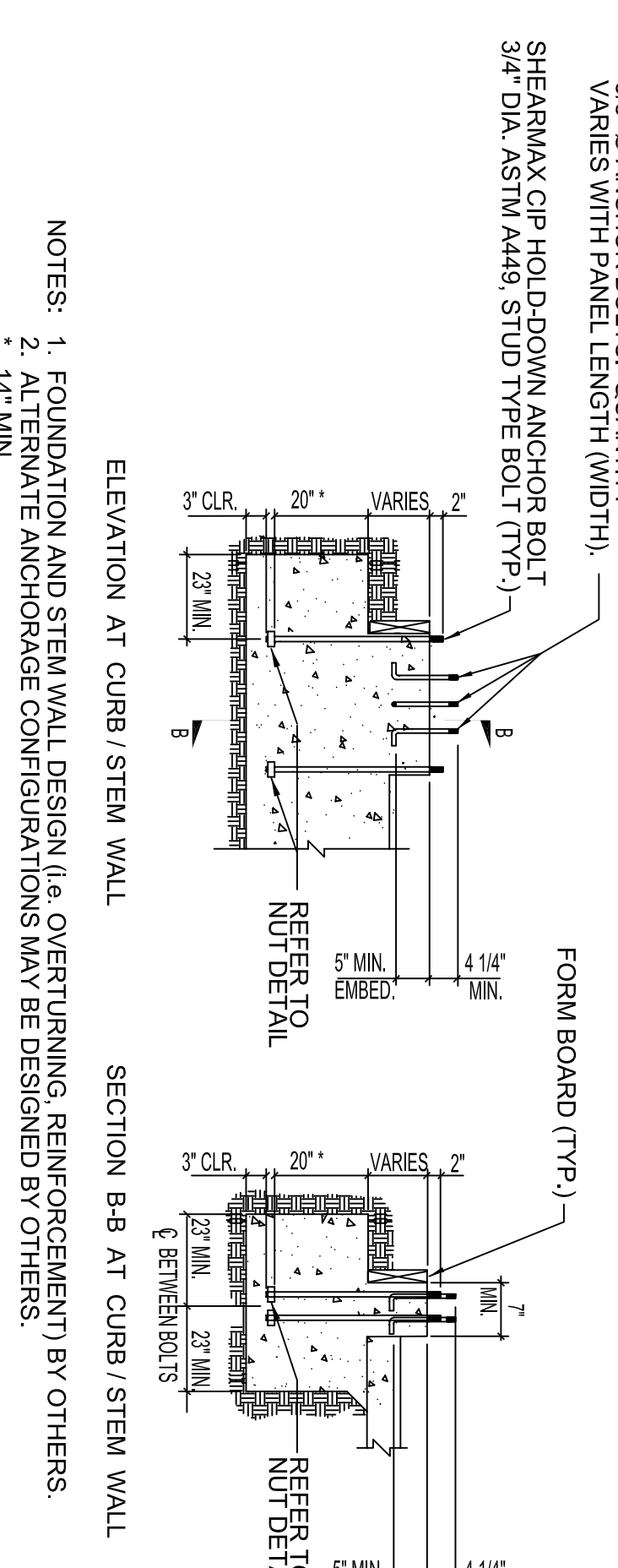
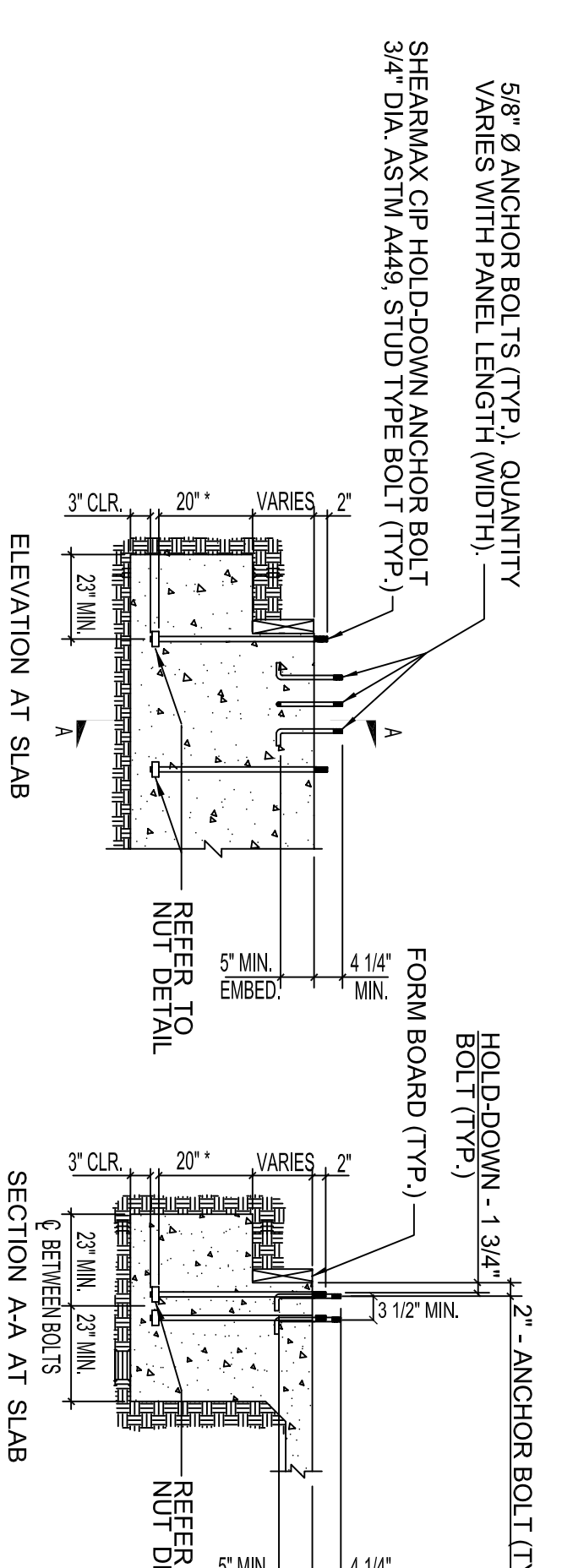
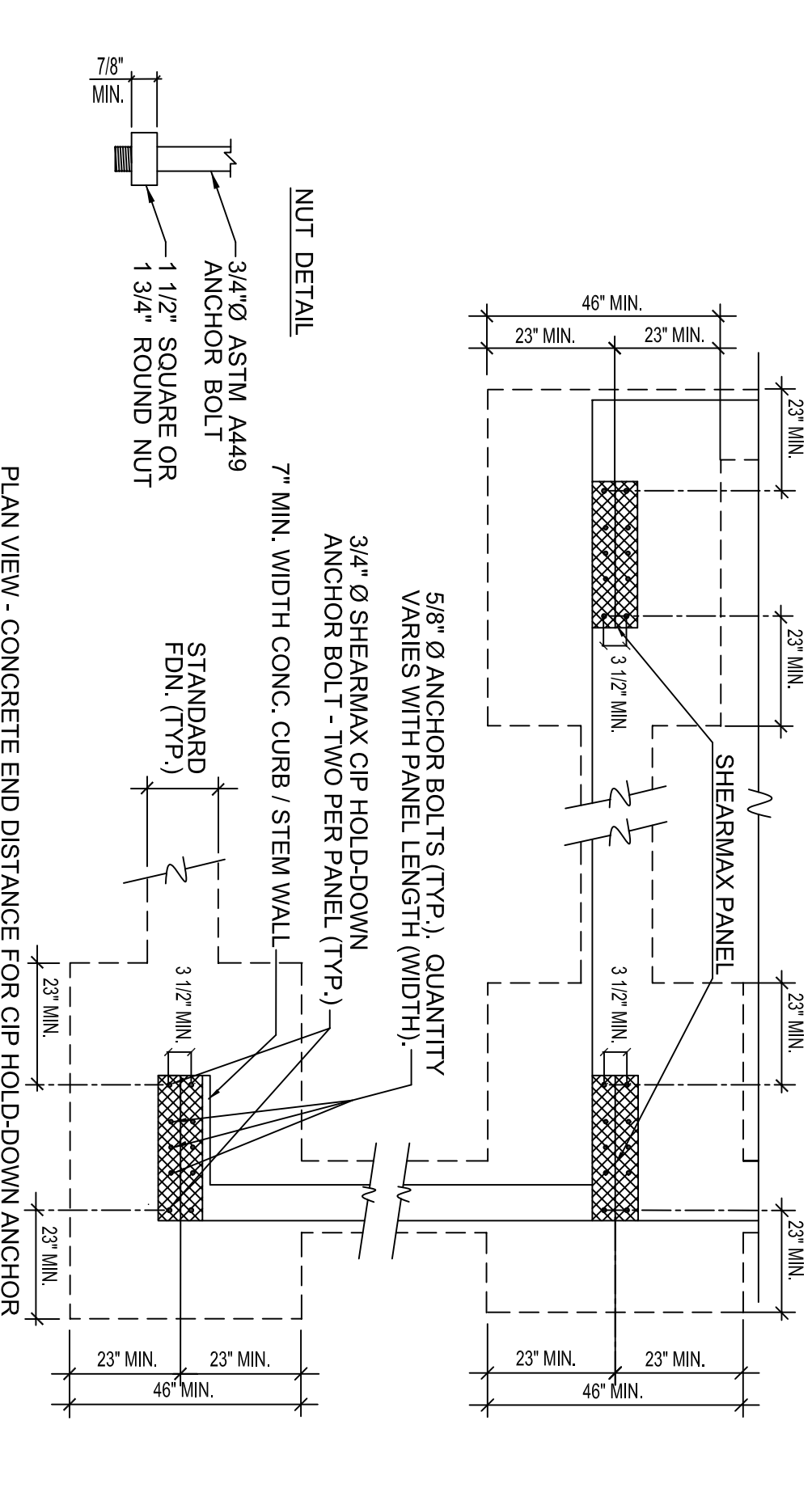
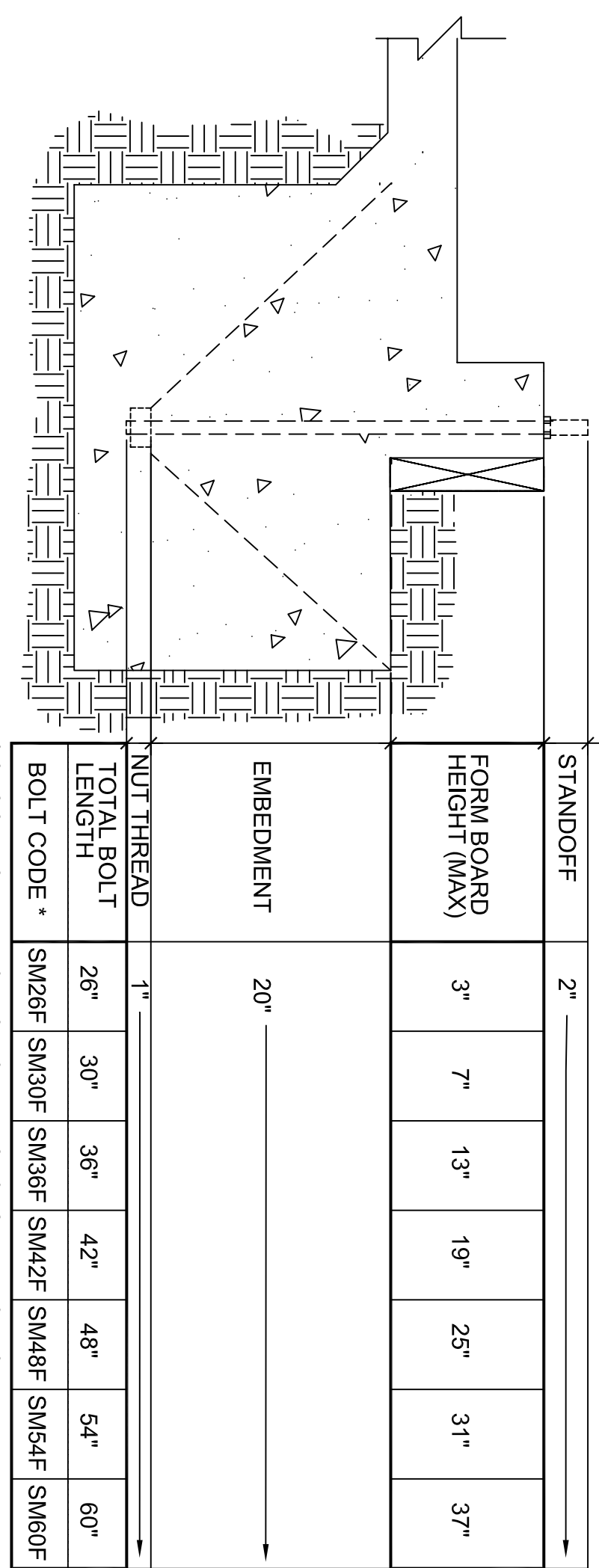
BASE CONNECTION PER (7) SMTD



## BACK TO BACK PANEL INSTALLATION WITH BEAM 13

NEED HELP? INSTALLATION ANIMATIONS AVAILABLE ONLINE AT WWW.SHEARMAX.COM OR CALL FOR FREE FIELD SERVICE 1-877-743-2762 TOLL FREE \*\*CUSTOM HEIGHTS\*\* NO EXTRA CHARGE

SHEARMAX CIP HOLD-DOWN ANCHOR BOLT 3/4" DIA. ASTM A449, STUD TYPE BOLT (TYP.)  
NOTE: FORM BOARD HEIGHT DETERMINES HOLD-DOWN BOLT LENGTH NOT PANEL SIZE (WIDTH OR HEIGHT)



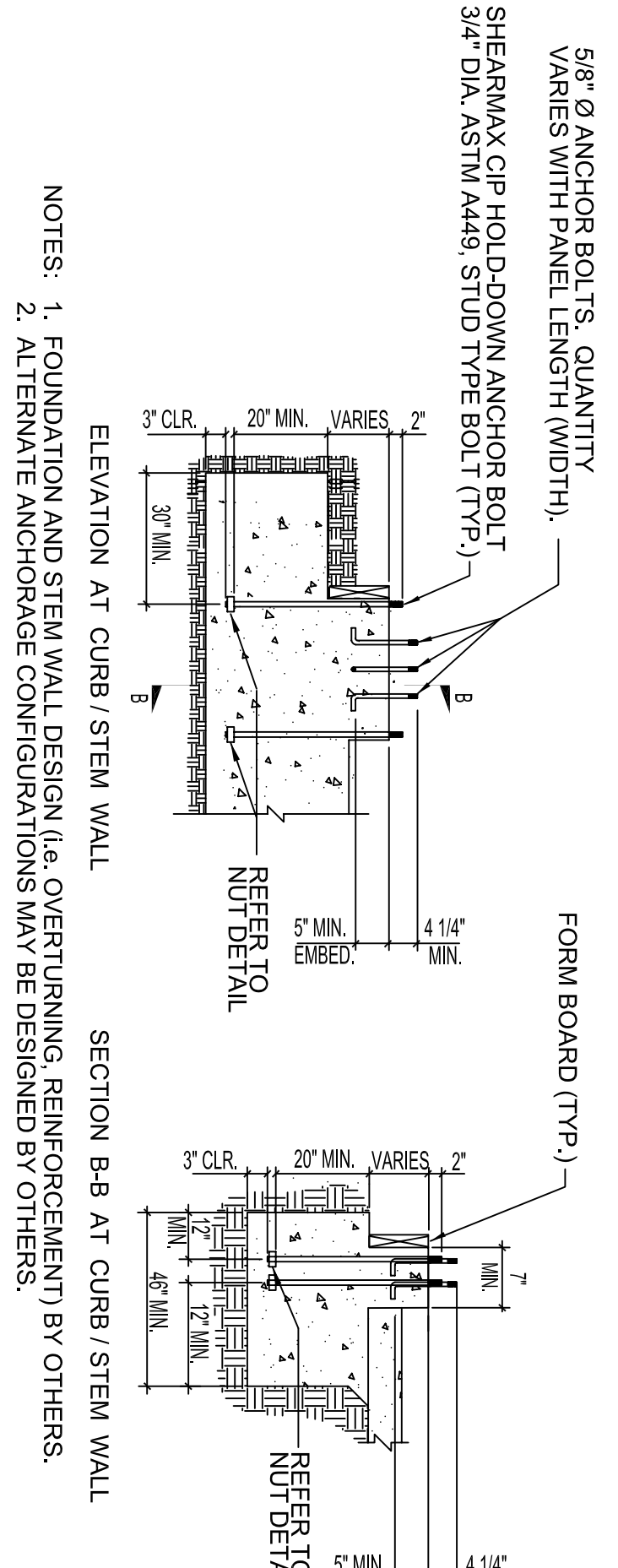
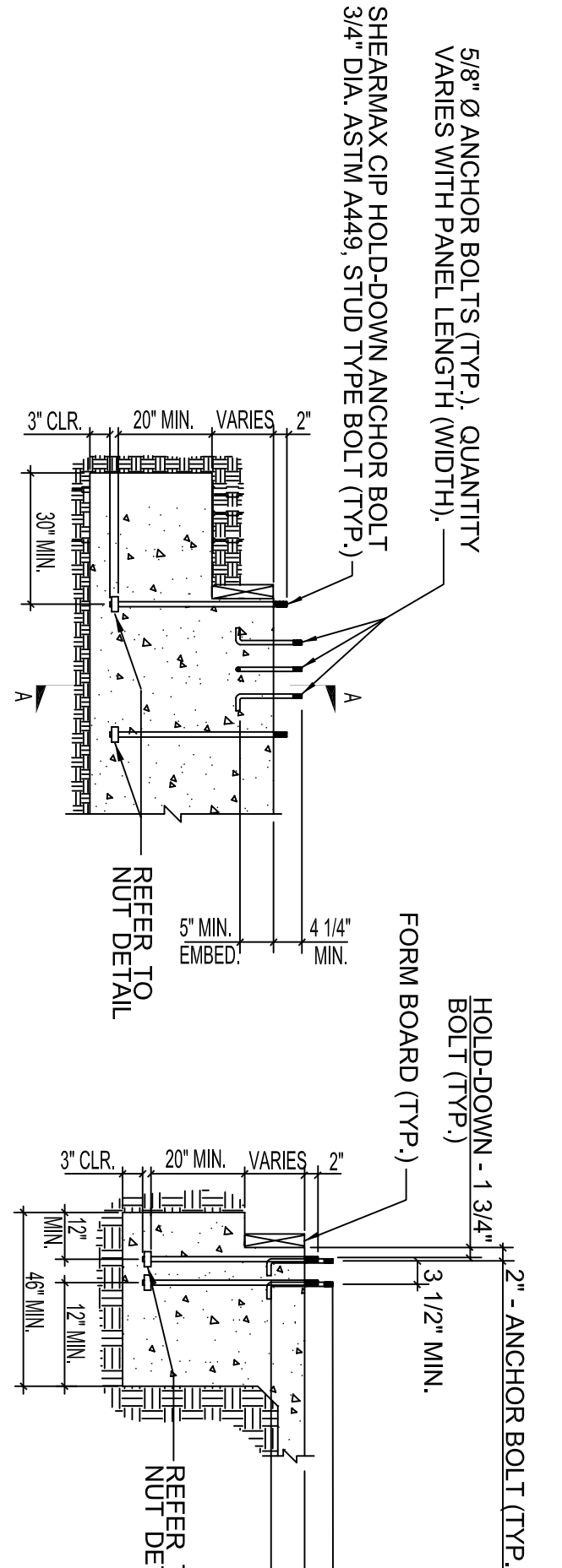
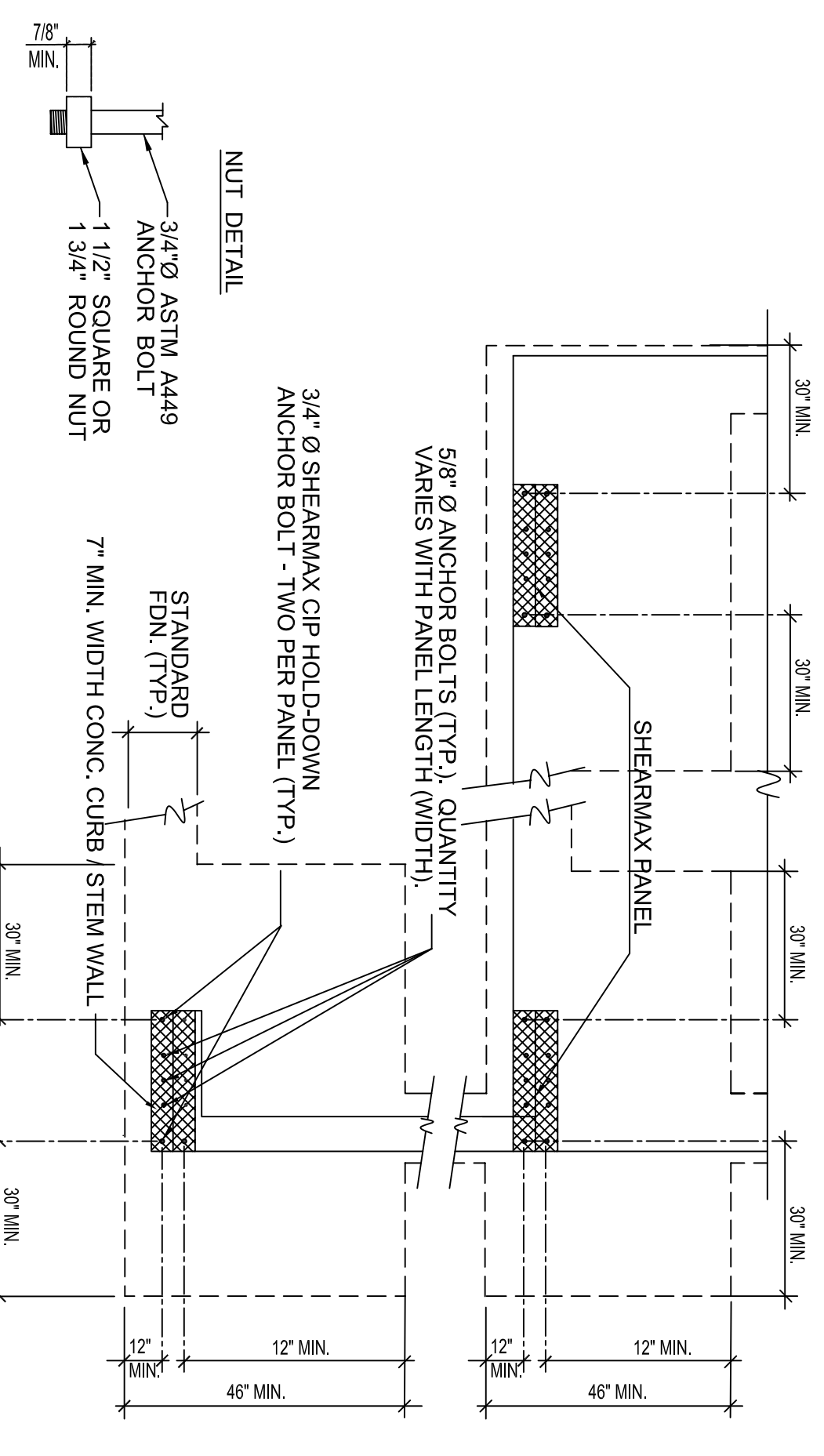
NOTES: 1. FOUNDATION AND STEM WALL DESIGN (i.e. OVERTURNING, REINFORCEMENT) BY OTHERS.  
2. ALTERNATE ANCHORAGE CONFIGURATIONS MAY BE DESIGNED BY OTHERS.  
4. MIN.

## SHEARMAX PANEL ESR-1727 GENERAL NOTES

1. SHEARMAX<sup>®</sup> PANELS ARE MANUFACTURED AND TRADEMARKED BY SHEAR TRANSFER SYSTEMS, INC.
2. SHEARMAX PANELS ARE LISTED BY ICC-ES IN EVALUATION REPORT ESR-1727.
3. THIS PRODUCT IS PART OF AN OVERALL LATERAL FORCE RESISTING SYSTEM, WHICH SHALL ALWAYS BE REVIEWED AND SPECIFIED BY A DESIGN PROFESSIONAL, ARCHITECT, ANCHOR ENGINEER OF RECORD AND APPROVED BY REQUIRED AGENCIES.
4. THE CONTRACTOR IS RESPONSIBLE TO VERIFY ALL DIMENSIONS, CONDITIONS, AND POSITIONS OF SHEARMAX, ETC. PRIOR TO INSTALLATION OF THIS PRODUCT AND OR ANY COMPONENT AFFECTING THE SHEARMAX SYSTEM. IF ANY DISCREPANCIES AND/OR ADVERSE CONDITIONS DO EXIST, IT IS THE RESPONSIBILITY OF THE CONTRACTOR TO NOTIFY THE DESIGN PROFESSIONAL, ARCHITECT, AND/OR ENGINEER OF RECORD, AND/OR LOCAL BUILDING OFFICIALS FOR CLARIFICATIONS PRIOR TO CONSTRUCTION.
5. SHEAR TRANSFER SYSTEMS, INC. RESERVES THE RIGHT TO CHANGE DESIGNS, SPECIFICATIONS, AND/OR MODELS WITHOUT NOTICE OR LIABILITY.
6. 1-INCH = 25.4 MM - DRAWINGS NOT TO SCALE

SHEAR TRANSFER SYSTEMS, INC.  
9445 SANDIA FE AVENUE EAST, HESPERIA, CA 92345, P.O. BOX 402563, HESPERIA, CA 92340-2563  
(760) 949-4191 OR TOLL FREE (877) SHEARMAX (74327629) FAX (760) 948-5330 WWW.SHEARTMX.COM

SHEARMAX HOLD-DOWN ANCHORS ARE TO BE CAST-IN-PLACE WITH SPECIAL NUT AT THE EMBEDDED END IN ACCORDANCE WITH MINIMUM DIMENSIONS SET FORTH IN THE DETAILS BELOW. CONCRETE SHALL HAVE A MINIMUM 28-DAY COMPRESSIVE STRENGTH OF 2500 PSI. ALTERNATE DETAILS ARE ACCEPTABLE IF DESIGNED IN ACCORDANCE WITH THE GOVERNING CODE AND APPROVED BY THE BUILDING OFFICIAL. DETAILS SHOWN MAY OR MAY NOT BE INCLUSIVE OF FOUNDATION AND STEM WALL DESIGN (e.g. OVERTURNING AND REINFORCEMENT) BY OTHERS.



NOTES: 1. FOUNDATION AND STEM WALL DESIGN (i.e. OVERTURNING, REINFORCEMENT) BY OTHERS.  
2. ALTERNATE ANCHORAGE CONFIGURATIONS MAY BE DESIGNED BY OTHERS.

## BACK TO BACK SHEARMAX OF SAME WIDTH AND LOCATION FOUNDATION DETAILS 14

NEED HELP? INSTALLATION ANIMATIONS AVAILABLE ONLINE AT WWW.SHEARMAX.COM OR CALL FOR FREE FIELD SERVICE 1-877-743-2762 TOLL FREE \*\*CUSTOM HEIGHTS\*\* NO EXTRA CHARGE



ICC ESR-1727

NO.	REVISION	DATE
1	ORIGINAL	02/01/06
2	REVISED	03/20/06
2	REVISED	01/01/08

VERSION 02-16-17

APPLICABLE CODES:

2009 IBC	2007 CBC
2012 IBC	2010 CBC
2015 IBC	2013 CBC
2015 IRC	2016 CBC
2017 IBC	2016 CRC

PROJECT: \_\_\_\_\_  
DRAWING: \_\_\_\_\_

OWNER / APPLICANT: \_\_\_\_\_

DRAWN BY: \_\_\_\_\_

CHECKED BY: \_\_\_\_\_

SHEET NUMBER: \_\_\_\_\_

SM4